

- 1
- 2
- 3
- 4
- 5
- 6
- 7
- 8
- 9
- 10
- 11
- 12
- 13
- 14
- 15
- 16
- 17
- 18

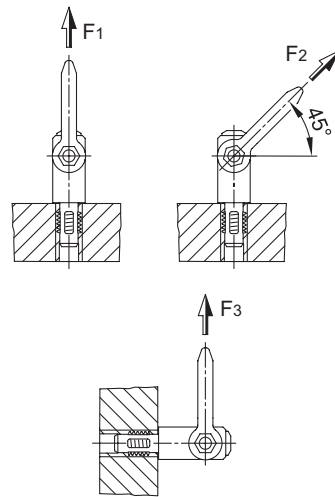
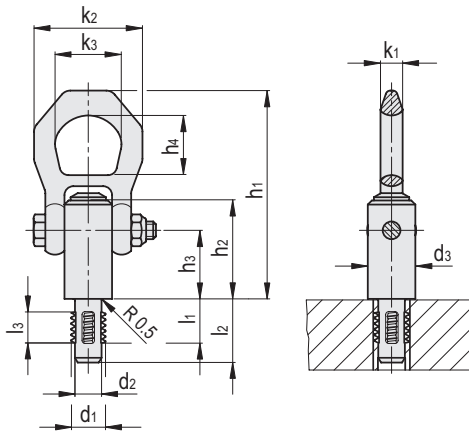
SPECIFICATION

- Steel **ST**
- Pin, shackle
 - Heat-treated, manganese phosphated
- Stainless steel **NI**
- Pin, AISI 630
 - Precipitation hardened
 - Shackle, AISI 316Ti
- Threaded segments
- Stainless Steel AISI 630
 - Precipitation hardened
- Button
- Aluminum, orange anodized
- Spring
- Stainless steel



FEATURES AND APPLICATIONS

Threaded lifting pins GN 1133 are support elements designed for quick and easy use. Pressing the operation button unlocks the threaded segments, allowing the pin to be moved in or out of the mounting thread. This eliminates the time-consuming process of screwing in or out encountered with typical lifting gear, such as lifting eye bolts. Assuming sufficient material strength, only true-to-gauge threaded holes are required to make use of the threaded lifting pins. The shackle swivels by 180°, with a safety bar protecting the button from unintentional operation. For further application guidelines, see the operating instructions enclosed with every threaded lifting pin



Conversion Table	
1 mm = 0.039 inch	
l1	
mm	inch
12	0.47
14	0.55
17	0.67
22	0.87

GN 1133-ST

METRIC

Code	Description	d1	d2 -0.07	d3	h1	h2	h3	h4	k1	k2	k3	l1	l2	l3	F1\ r[kN]*	F2\ r[kN]*	F3\ r[kN]*	Δ
GN.76702	GN 1133-M8-12-ST	M 8	6.62	21.5	87.5	36	25.7	27	9.5	49	30	12	17.8	8	2.1	0.9	0.8	275
GN.76706	GN 1133-M10-14-ST	M 10	8.35	21.5	87.5	36	25.7	27	9.5	49	30	14	20	10	3.9	1.5	1.5	278
GN.76712	GN 1133-M12-17-ST	M 12	10.07	21.5	87.5	36	25.7	27	9.5	49	30	17	24	12	6.2	2.5	2.3	284
GN.76716	GN 1133-M16-17-ST	M 16	13.8	21.5	87.5	36	25.7	27	9.5	49	30	17	24	12	8.4	4.5	4.2	300
GN.76722	GN 1133-M20-22-ST	M 20	17.25	30	114	52	36.5	32.6	15	56	36	22	30	17	16.6	7.7	5	685

GN 1133-NI

INOX STAINLESS STEEL METRIC

Code	Description	d1	d2 -0.07	d3	h1	h2	h3	h4	k1	k2	k3	l1	l2	l3	F1\ r[kN]*	F2\ r[kN]*	F3\ r[kN]*	Δ
GN.76701	GN 1133-M8-12-NI	M 8	6.62	21.5	87.5	36	25.7	27	9.5	49	30	12	17.8	8	2.1	0.9	0.8	284
GN.76705	GN 1133-M10-14-NI	M 10	8.35	21.5	87.5	36	25.7	27	9.5	49	30	14	20	10	3.9	1.5	1.5	289
GN.76711	GN 1133-M12-17-NI	M 12	10.07	21.5	87.5	36	25.7	27	9.5	49	30	17	24	12	6.2	2.5	2.3	288
GN.76715	GN 1133-M16-17-NI	M 16	13.8	21.5	87.5	36	25.7	27	9.5	49	30	17	24	12	8.4	4.5	4.2	298
GN.76721	GN 1133-M20-22-NI	M 20	17.25	30	114	52	36.5	32.6	15	56	36	22	30	17	10	7.7	5	607

Machine elements

* 5-fold anti-fracture safety